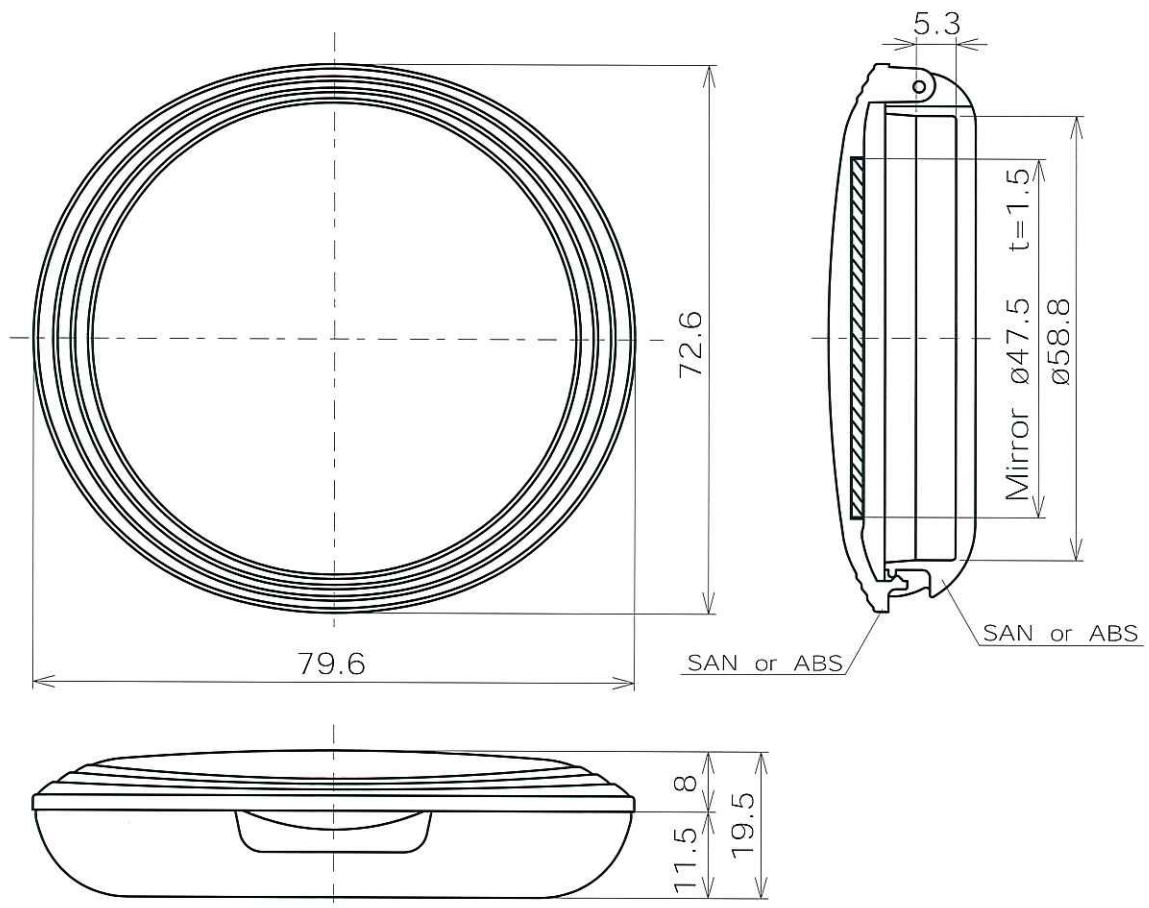


Model Code CP-NR-TH



Remarks : Inner Tray(s), Puff, and Brushes are not supplied.

## MFV International Corporation

89 Headquarters Plaza North, Suite 1422 Morristown, New Jersey 07960 USA  
 Tel : 973-993-1687 Fax : 973-993-1685 Email : inquire@mfv-intl.com <http://www.mfv-intl.com>