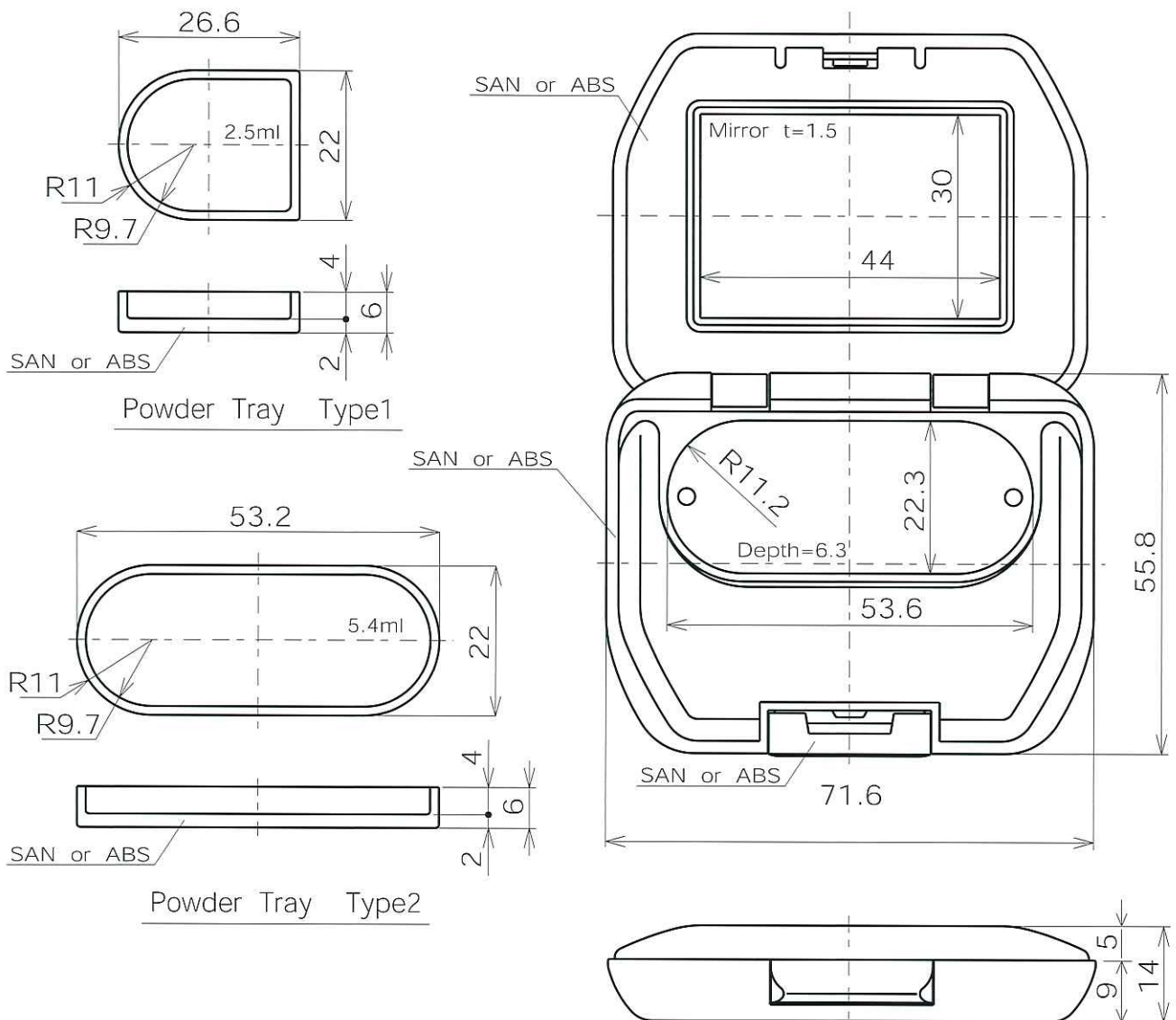
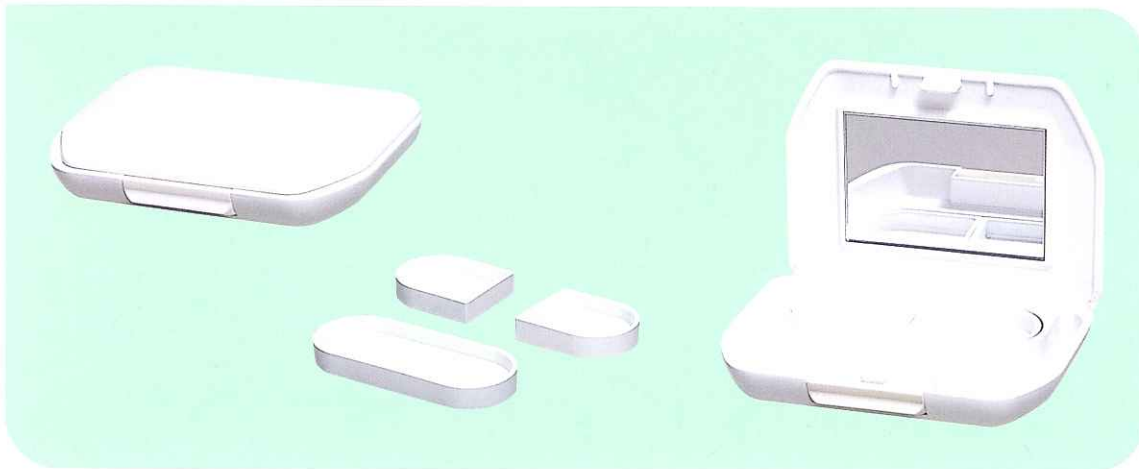


Model Code CP-S



Remarks : Puff and Brushes are not supplied.

MFV International Corporation

89 Headquarters Plaza North, Suite1422 Morristown, New Jersey 07960 USA
 Tel : 973-993-1687 Fax : 973-993-1685 Email : inquire@mfv-intl.com <http://www.mfv-intl.com>